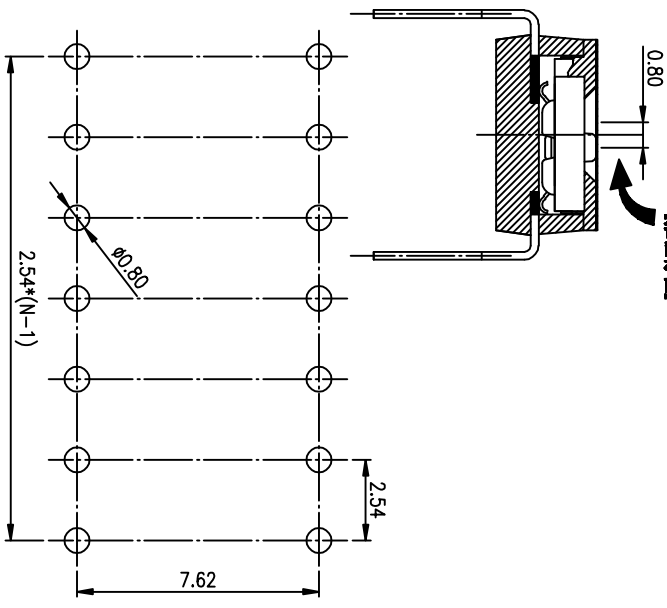
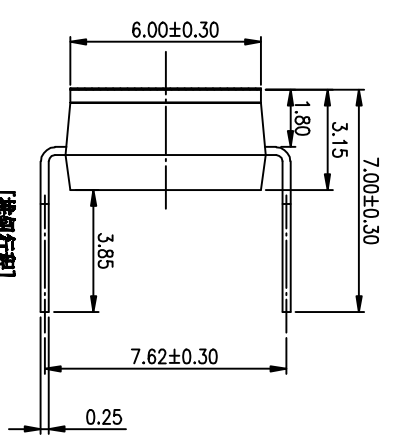
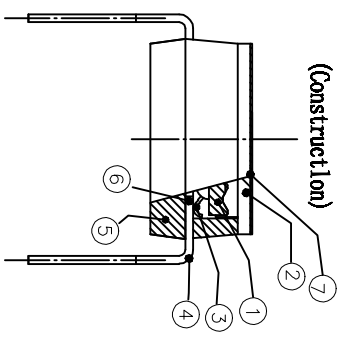
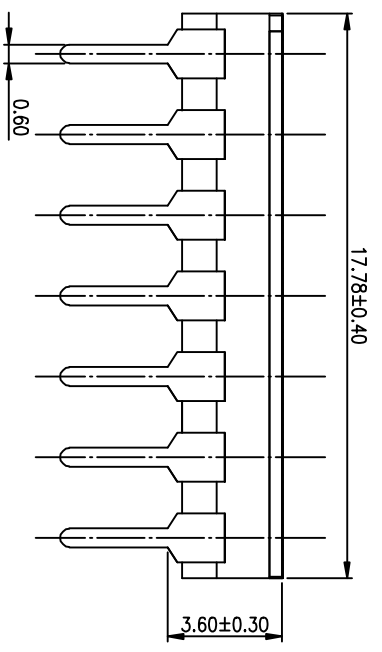
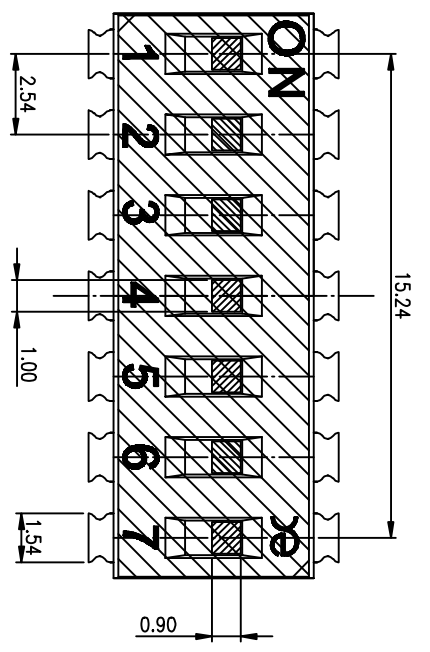
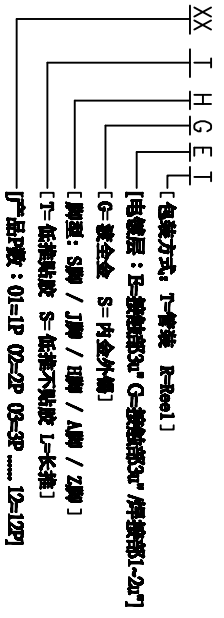


PRODUCT NO.	DISCO7THGET
ROHS COMPLIANT	Yes

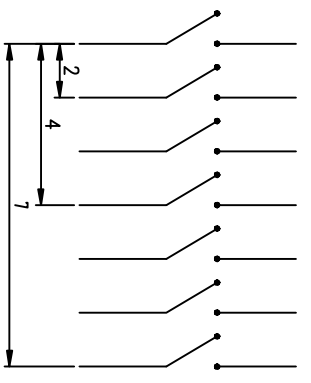


- NOTES :
- 1.>Specification:
 - 1> Operating force: 1000gf Max
 - 2> Operating Temperature: -40° to +85°
 - 3> Storage Temperature: -40° to +85°
 - 4> Mechanical Life: 3000cycles minimum
 - 5> Electrical Life: 2000cycles 25mA 24VDC
 2. PLATING:
 - GOLD FLASH 1u"(min.) SOLDER TAIL,
 - 3u" GOLD PLATING ON THE CONTACT AREA,
 - WITH 50u" NICKEL UNDERPLATING OVERALL.

3. PART NUMBER DESCRIPTION



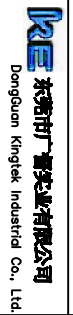
[Schematic]



RECOMMENDED P.C.B. LAYOUT (TOP VIEW)

Number	Part Name	Material	Finished
①	Actuator	UL94 V0	White
②	Cover	UL94 V0	Black
③	Movable	Copper Alloy	3u"Gold
④	Terminal	Brass	1u"Gold
⑤	Base	UL94 V0	Black
⑥	Terminal Contact	Brass	3u"Gold
⑦	Mylar	UL94 V0	0.05mm

TOLERANCE UNLESS OTHERWISE SPECIFIED		INSPECTION COPY
LINER	ANGLES	PROJECTION
0 ± 0.25	0. ± 2°	BY DISC SERIES PITCH 2.54mm
.00 ± 0.15	.0 ± 1°	PRODUCT FAMILY DISC SERIES
.000 ± 0.10	.00 ± 0.5°	PRAT NO. DISCO7THGET
DESIGN	kathy	2012/04/12
DRAWING		
CHECK		
APPRO.		



FILE NO.	DISCO7THGET-A
SIZE	UNIT SCALE SHEET REV.
A4	mm 2 : 1 1 OF 1 A